



MOTORPACK ASSEMBLY INSTRUCTIONS

This publication contains universal motorpack assembly instructions.

Carefully read this publication prior to installation, operation, or maintenance. For information and instructions on special equipment, contact the Loren Cook Company in Springfield, Missouri at (417) 869-6474.

Additional Information

For additional safety information, refer to AMCA publication 410-90, *Safety Practices for Users and Installers of Industrial and Commercial Fans*. This bulletin can be obtained from the Loren Cook Company Literature Department by phoning 417/869-6474, extension 166; by FAX at 417/832-9431; or by e-mail at info@loren-cook.com.

Assembly Instructions

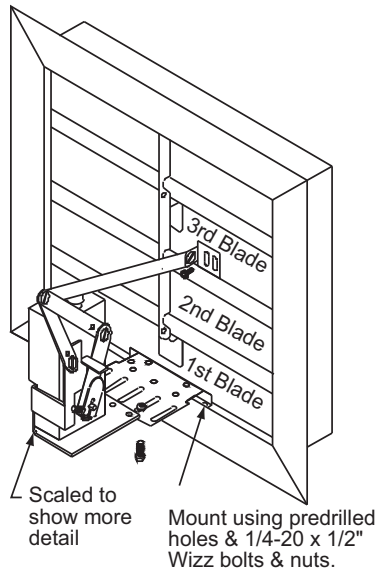
Motorpack Assembly

You will need the following tools:

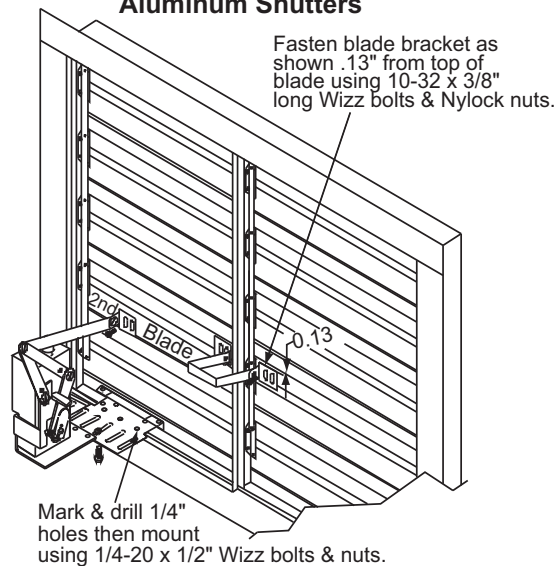
- Magic Marker
 - 5/16" Wrench or Socket
 - 3/8" Wrench or Socket
 - 7/16" Wrench or Socket
 - Powerdriver with 1/4" bit
- or
- Sheet Metal Uni-Bit

Universal Motorpack Parts List

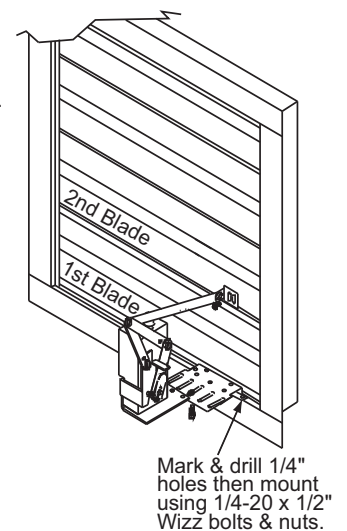
"P" Type Aluminum Shutters



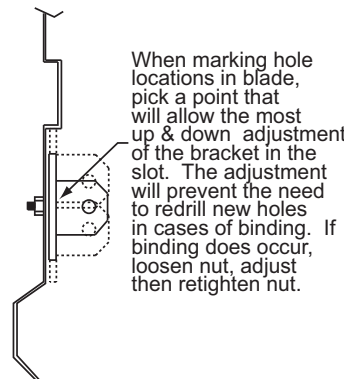
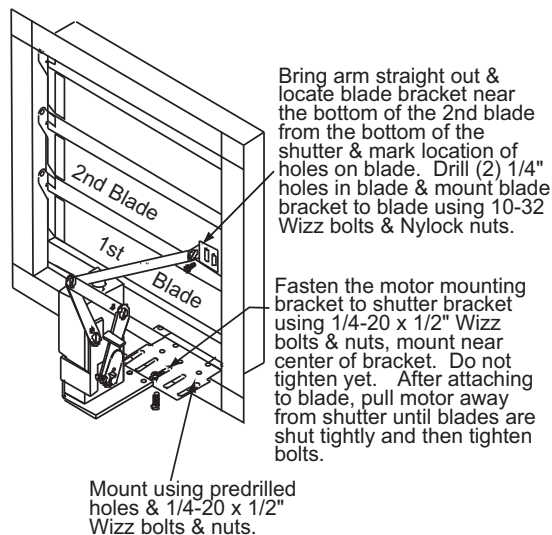
"A" Type Heavy Duty Aluminum Shutters



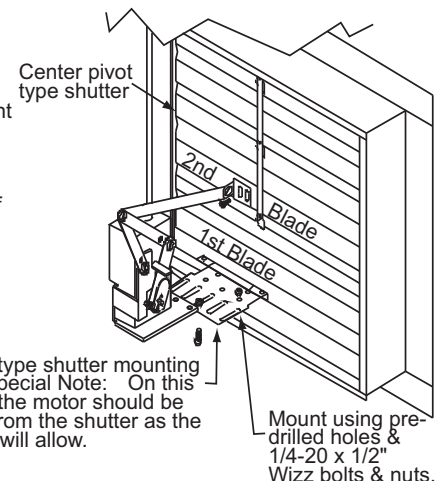
"A" Type Aluminum Shutters



"R" Type Galvanized Shutters Used

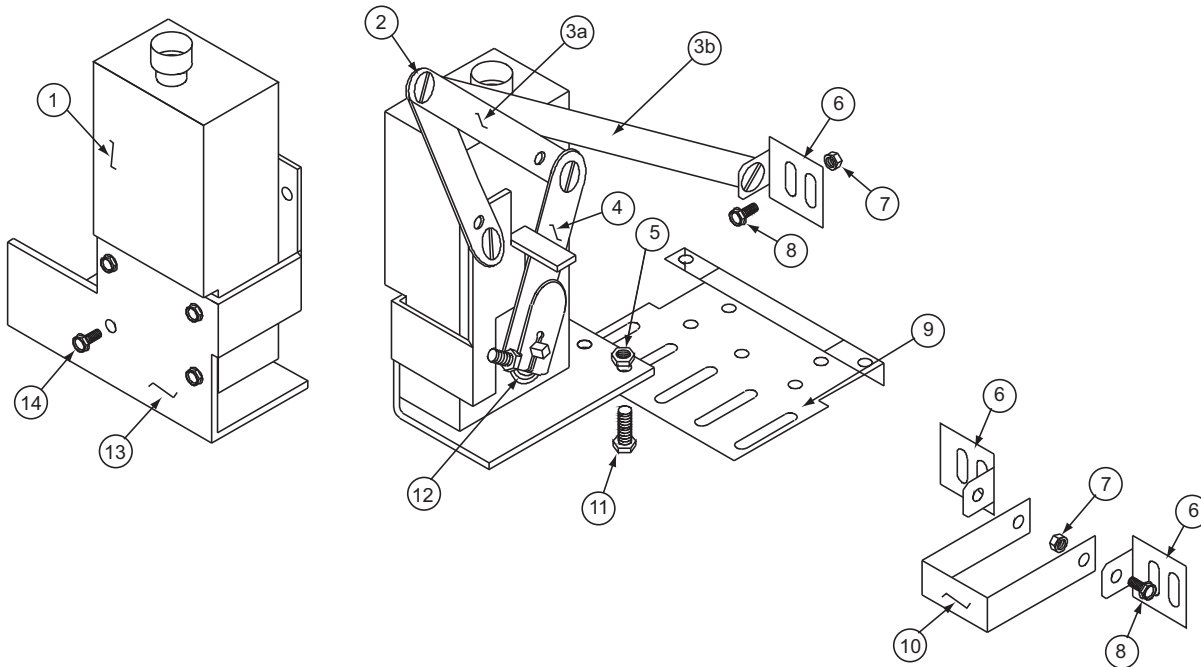


"R" Type MIC Shutters



Reference "R" type shutter mounting instructions. Special Note: On this type of shutter the motor should be located as far from the shutter as the mounting slots will allow.

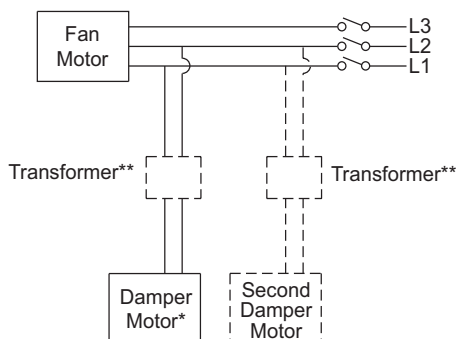
Universal Motorpack Parts List



Item No.	Description	Inventory No.	Drawing No.	Packaged in box:
1	Actuator Motor	554196	-	Pre-installed
2	1/4" Long Screw Post & 8-32 Screw (4)	554225	-	Pre-installed
3a	Linkage Arm -Short (2)	556764	-	Pre-installed
3b	Linkage Arm - Long	556768	-	Pre-installed
4	Actuator Motor Arm	556766	-	Pre-installed
5	1/4-20 Wizz Nut (4)	137555	-	In bag
6	Shutter Blade Bracket (3)	556128	556128-B	1 Pre-installed, 2 loose
7	10-32 Nylock Nut (8)	137552	-	In bag
8	10-32 x 3/8" Wizz Bolt (8)	137573	-	In bag
9	Shutter Bracket	556121	556121-C	loose
10	Two Panel Bracket	556123	556123-B	loose
11	1/4-20 x 1/2" Wizz Bolt (4)	137578	-	In bag
12	Spring	554095	-	Pre-installed
13	Actuator Motor Mounting Bracket	556126	556126-C	Pre-installed
14	8-32 x 5/16" Hex Head Screw (4)	137502	-	Pre-installed

* Lock-Tite all screw posts.

Typical Damper Motor Schematic



For 3 phase, damper motor voltage should be the same between L₁ and L₂. For single phase application, disregard L₃. *Damper motors may be available in 115, 230 and 460 volt models. The damper motor nameplate voltage should be verified prior to connection. ** A transformer may be provided in some installations to correct the damper motor voltage to the specified voltage.

LOREN COOK COMPANY

Corporate Offices: 2015 E. Dale Street Springfield, MO 65803 417.869.6474
www.lorencook.com