



COOK

INSTALLATION, OPERATION, AND MAINTENANCE MANUAL

TLCH Supplement A

TLCH-D/B Installation Detail Instructions

This publication contains supplemental instructions for *Type A TLCH units*. Carefully read this publication prior to any installation or maintenance procedure. *Type A* penthouse assemblies are characterized by a peaked topcap profile, eyebolts in the inside corners for cable tiedowns, and vertical blade spacing of 5.9 inches. For others, see *Type B* penthouse assemblies.

Loren Cook catalog, *LC*, provides additional information describing the equipment, fan performance, available accessories, and specification data. For additional safety information, refer to AMCA Publication 410-96, *Safety Practices for Users and Installers of Industrial and Commercial Fans*.

All of the publications listed above can be obtained from Loren Cook Company by phoning (417)869-6474, extension 166; by FAX at (417)832-9431; or by e-mail at info@lorencook.com. For information on special equipment, contact Loren Cook Company Customer Service Department at (417)869-6474.

The unit is shipped in a manner that is stacked together, but the hood and base may not be attached, to facilitate access for installation. The installation specifics vary with the design of roof curbs that the hurricane resistant ventilator is to be mounted on. Modification of the assembly order may be necessary to have access to the restraint components and complete the installation. The following requirements must be met for the installed ventilator to meet the windload and impact resistance specifications.

1) Complete the installation of an approved roof curb. Recommended methods are; a) Concrete Surface - 1/4"-20 Hilti Kwik Bolt II w/ 2" embedment, 18" C-C spacing and 6" from ends, provided by others, or b) Steel Structure - 1/4"-20 x 1 hex head bolt w/ locknut and washer, 18" C-C spacing and 6" from ends, provided by others.

2) The installer is responsible for providing mounting points (5) for the lower eye bolts on the roof structure. 2x2x1/4" steel angle or similar material should be used.

3) Install lower eyebolts (6) on anchor points (5) and attach the 1/8" dia. SS cable (7) (2' long) to the lower eyebolts with the clamps provided.

4) Attach the upper angle clips (3) (2 x 1.5 x 1/8" x 4" long aluminum angle) to the inside lower edge of the penthouse assembly using two #12 self-drilling metal screws per angle. Two should be installed on each side, 15" maximum from the corner (sides less than 15" inside require one per side).

5) Install the extended sill (2) over the curb and center it. Attach the fan base to the extended sill if not already done so. Attach using 1/4" fasteners on 15" centers.

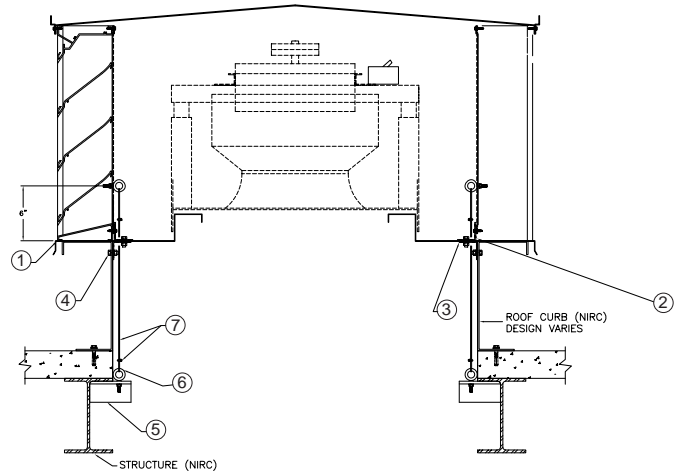
6) Install the penthouse (1) over the extended sill. Drill through the upper angle clip, the extended sill and the lower angle clip in two places. Attach the angles together using the 1/4"-20 x 1 1/2" long hex head bolts and lock nut through the sill base. (Installer to caulk all penetrations through sill base.)

7) Attach lower aluminum angle clip (4) to the curb using 1/4"-20 hex head bolts and nuts, provided by others.

8) Drill access hole for the 1/8" SS cable in each corner and attach the cable to the upper eye bolt with the clamp provided. (Installer to caulk all penetrations through sill base.)

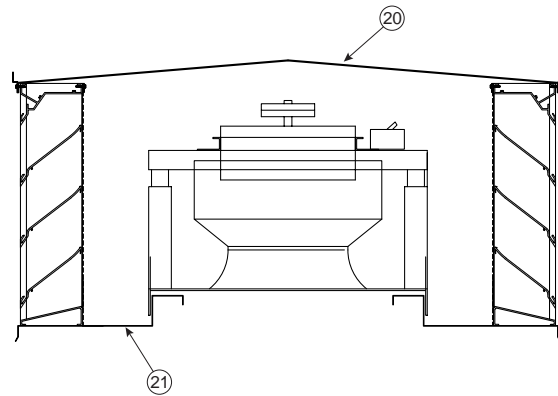
9) Drill access through the sill for the electric supply and complete wiring to the fan.

10) Proceed with startup procedure.



NOTE:
INSTALLER TO FIELD DRILL HOLES
IN ANGLES & EXTENDED SILL TO MATCH
CABLE LOCATIONS

TLCH-D/B Parts List



Part No.	Description
20 *	Hurricane resistant penthouse assembly
21	Extended sill/fan base

*Part 20 is in lieu of Part #13 on page 8 of LC IOM.