

COOK

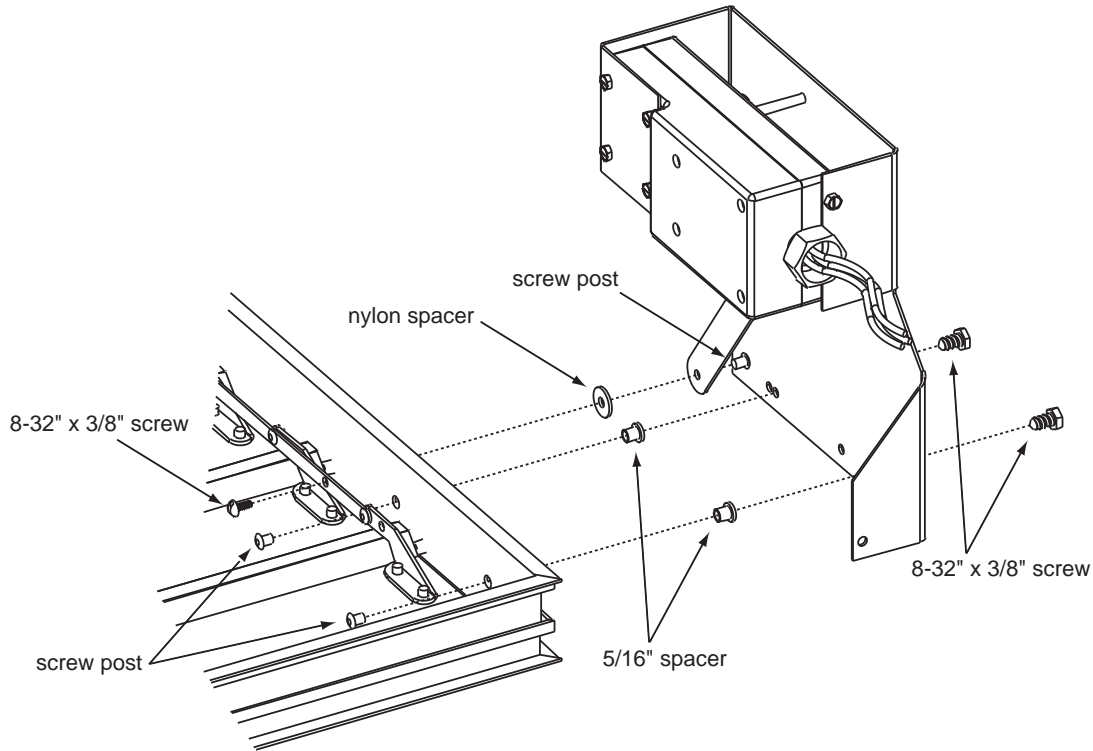
Motor Pack

INSTALLATION INSTRUCTION

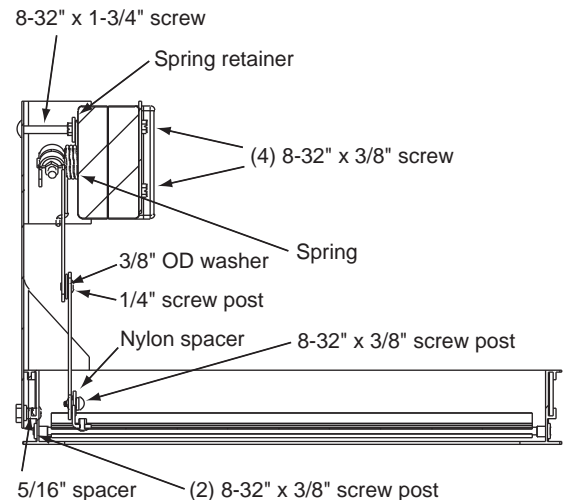
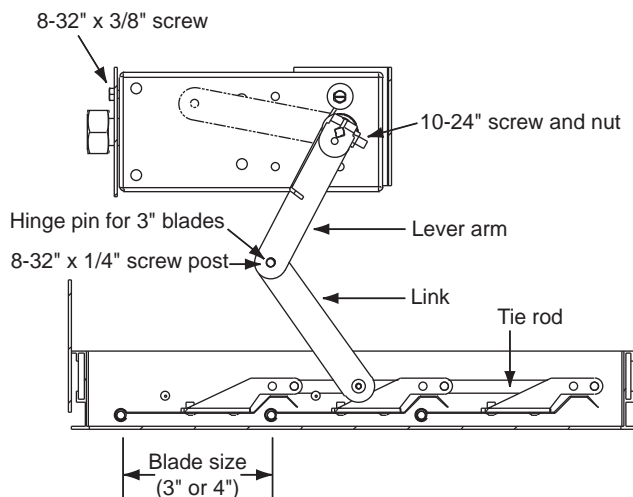
This publication contains the installation instructions for Motor Packs. Carefully read this publication prior to any installation or maintenance procedure. For additional safety information, refer to AMCA publication 410-96, *Safety Practices for Users and Installers of Industrial and Commercial Fans*.

Receiving and Inspection

Immediately upon receipt, carefully inspect for damage and/or shortage. Record on the *Delivery Receipt* any visible sign of damage.



1. With dampers in the open position, install the motor mount bracket using two 3/8 inch screw posts, a 5/16 inch spacer and 8 - 32 x 3/8 screws.
2. Connect the tie rod and link using 3/8 inch screw posts, 8 - 32 x 3/8 inch screws, and a nylon spacer.

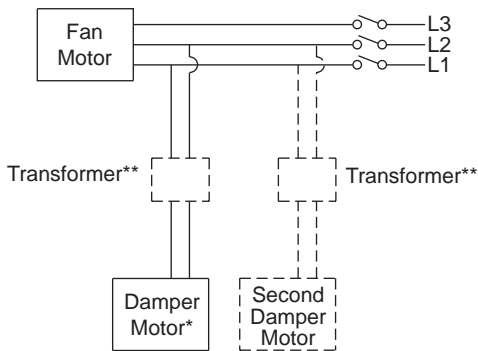


See reverse side for Motor Pack Parts Checklist and Wiring Diagram.

Motor Pack Parts Checklist

No. of Parts	Description
3	8-32" x 3/8" screw post
1	8-32" x 1/4" screw post
2	3/8" flat washer
8	8-32" x 3/8" screws
1	8-32" x 1-3/4" screw
1	10-24" screw and nut
1	Spring
1	Nylon Spacer
1	3/4" x 4" lever arm
1	3/4" x 5-1/2" lever arm
2	5/16" spacers

Typical Damper Motor Schematic



For 3 phase, damper motor voltage should be the same between L₁ and L₂. For single phase application, disregard L₃. *Damper motors may be available in 115, 230 and 460 volt models. The damper motor nameplate voltage should be verified prior to connection. ** A transformer may be provided in some installations to correct the damper motor voltage to the specified voltage.



LOREN COOK COMPANY

2015 E. DALE STREET
SPRINGFIELD, MO 65803-4637

Phone 417.869.6474
FAX 417.862.3820

lorencook.com