

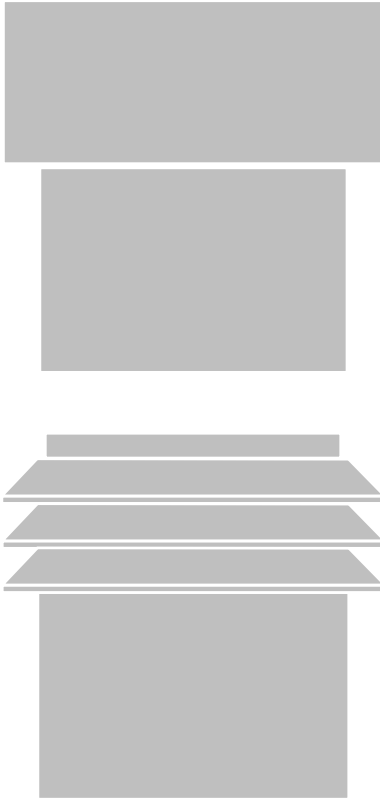
ASP/ASP-T

ASP/ASP-T

Filtered Air Supply Package

Page

Introduction	2
Standard Construction Features	3
Specification and Dimension Data	
ASP (Bottom & Side Discharge)	4
ASP-T (Bottom & Side Discharge)	5
Accessories	6-7



INTRODUCTION

Loren Cook Company ASP and ASP-T Filtered Air Supply Packages are available in six quiet and efficient sizes supplying air from 400 to 14,000 CFM. Installation is quick and easy. A three inch skirt is provided for attachment to the roof curb. Weather protection and long life is ensured by an enclosed, galvanized cabinet and baffled air intakes. An insulated top cover reinforced with cross breaks prevents drumming. Overall vibration is prevented with factory installed vibration isolators on the motor and blower. In addition, the cover is removable allowing quick access to filters, blower, and motor assembly for service, inspection and cleaning. Fan bearings and motor bearings are permanently lubricated, and filters are of all aluminum construction. The ASP Hooded Filtered Air Supply Package is constructed of heavy gauge galvanized steel and designed for maximum weather protection. The ASP-T Tiered Filtered Air Supply Package features a heavy gauge extruded aluminum tiered hood.



ASP

- The motors are heavy duty, sealed ball bearing type.
- The drives are cast iron.
- Filters are one inch, washable, permanent type.
- The blower is a double width, double inlet, (DWDI), forward curved centrifugal type.
- A pivoting motor mount with a screw adjustment is provided for easily maintaining the proper belt tension.

Side Discharge

Both units are available in side discharge configuration allowing for a wide range of versatility concerning placement of the intake unit in a supply system.



ASP-T

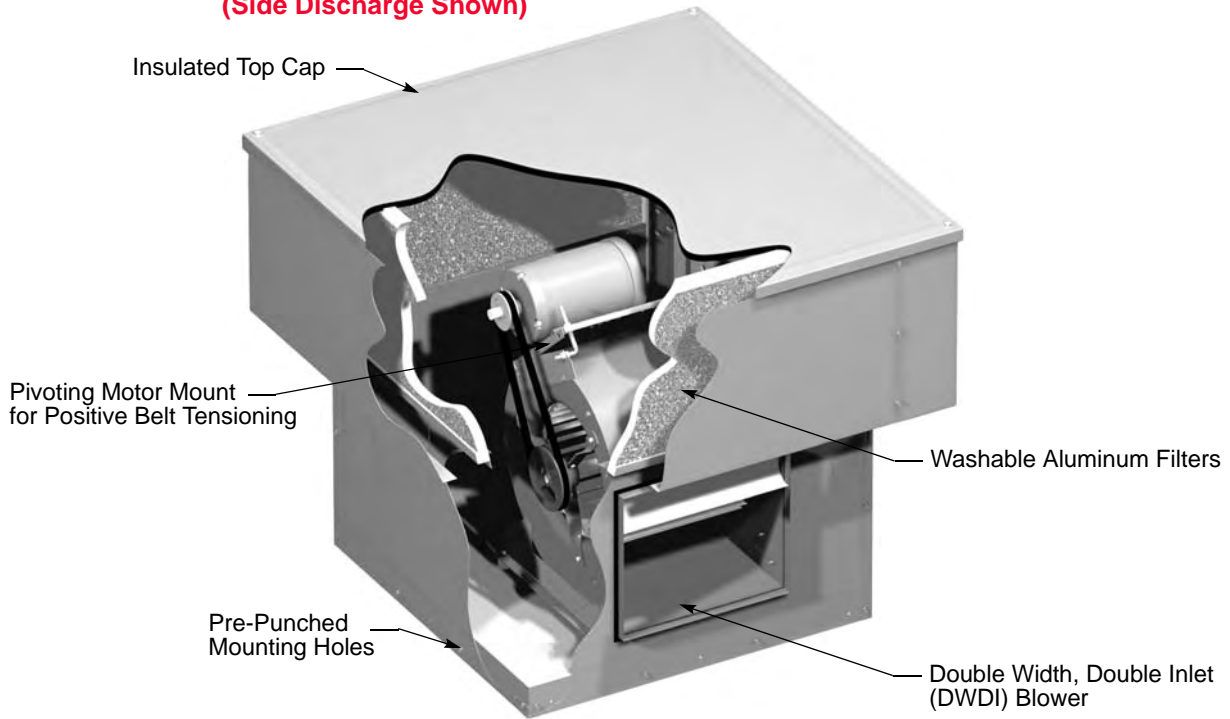


ASP Side Discharge

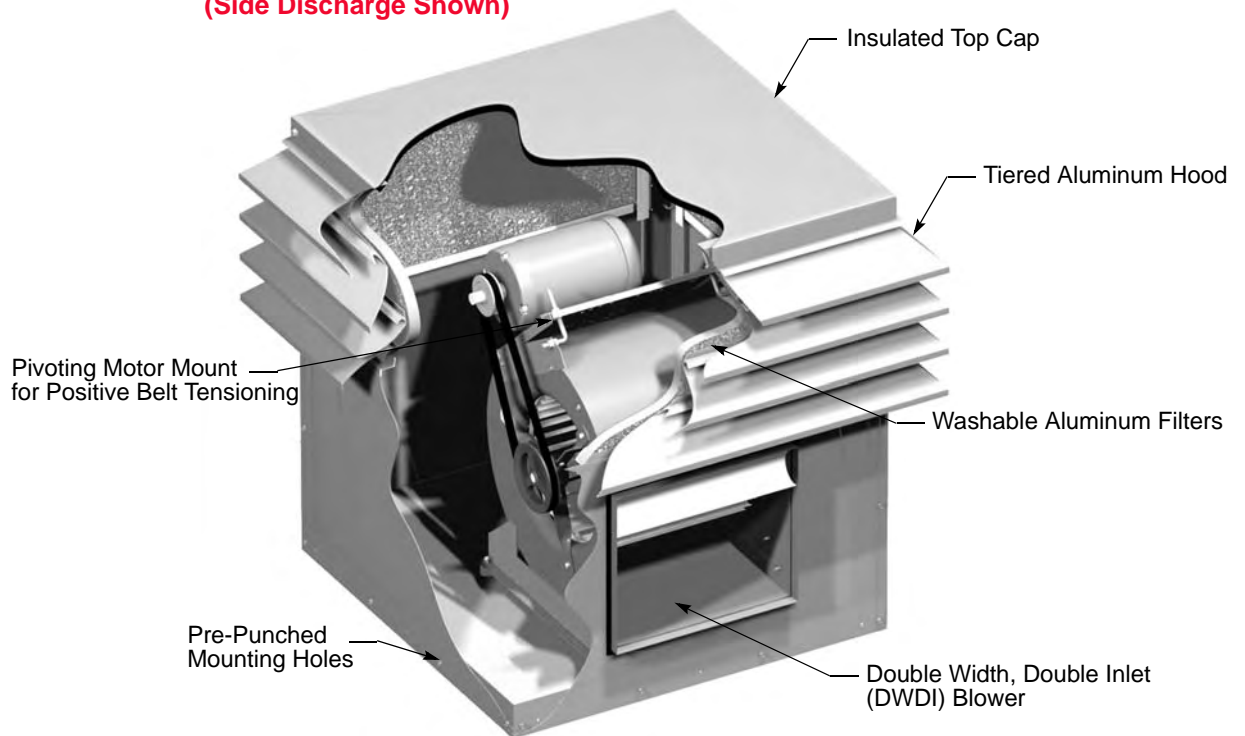


ASP-T Side Discharge

ASP (Side Discharge Shown)



ASP-T (Side Discharge Shown)



Air Supply Package Forward Curve, Belt Drive Bottom or Side Discharge Roof Mounted

Bottom



Side



Loren Cook Company certifies that the ASP shown herein is licensed to bear the AMCA Seal. The ratings shown are based on tests and procedures performed in accordance with AMCA Publication 211 and AMCA Publication 311 and comply with the requirements of the AMCA Certified Ratings Program.



Type ASP is furnished standard with UL 705 and cUL 705 listing (Power Ventilator/ZACT) when furnished with factory supplied motor.

Description - Fan shall be a hooded, roof mounted, belt driven, centrifugal filtered supply fan.

Certifications - Fan shall be manufactured at an ISO 9001 certified facility. Fan shall be listed by Underwriters Laboratories (UL 705) and UL listed for Canada (cUL 705). Fan shall bear the AMCA Certified Ratings Seal for Sound and Air Performance.

Construction - The fan shall be of bolted construction utilizing corrosion resistant fasteners. Housing shall be minimum 18 gauge galvanized steel, bolted to a minimum 16 gauge steel fan base with prepunched mounting holes. Unit shall be provided with an insulated top cover and 1" washable permanent aluminum filters. Internal blower and motor assembly shall be mounted on rubber vibration isolators. Unit shall bear an engraved aluminum nameplate. Nameplate shall indicate design CFM, static pressure, and maximum fan RPM. Unit shall be shipped in ISTA Certified Transit Tested Packaging.

Wheel - Wheel shall be DWDI centrifugal forward curved type, constructed of painted steel. Wheel shall be balanced in accordance with AMCA Standard 204-05, Balance Quality and Vibration Levels for Fans.

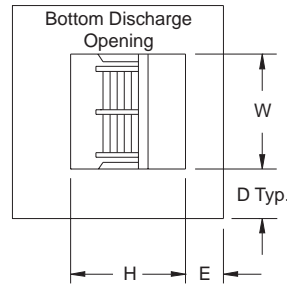
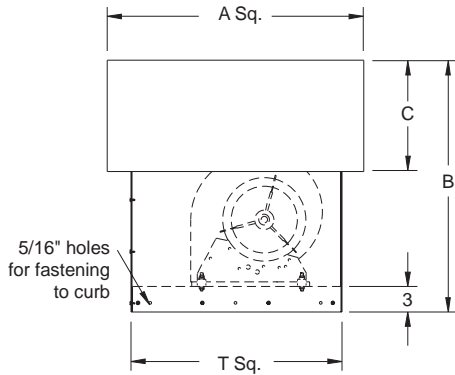
Motor - Motor shall be Nema Design B with Class B insulation rated for continuous duty and furnished at the specified voltage, phase and enclosure.

Bearings - Bearings shall be ball bearing type selected for a minimum L50 life in excess of 200,000 hours at maximum cataloged operating speed.

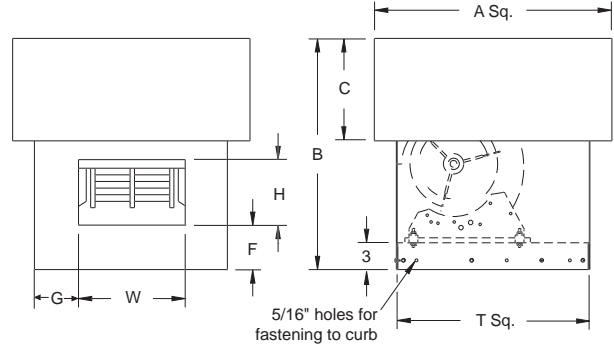
Belts and Drives - Belts shall be oil and heat resistant, non-static type. Drives shall be precision machined cast iron type, keyed and securely attached to the wheel and motor shafts. Drives shall be sized for 150% of the installed motor horsepower. The variable pitch motor drive must be factory set to the specified fan RPM.

Product - Fan shall be model ASP as manufactured by Loren Cook Company of Springfield, Missouri.

Bottom



Side



ASP Discharge Dimension Data

Size	A	B		C	D	E	F	G	T Sq.	Discharge Opening (H x W)	Filters		Material Gauges		Roof Opening Square*	Approx. Ship Wt.-Lbs.**
		Bottom	Side								Qty.	Size	Base	Housing		
90	33-1/8	26-1/2	27-1/2	10-1/2	6-7/32	7	5-1/4	6-5/32	24-1/8	10-1/8 x 11-9/16	4	10-1/4 x 19-3/4	16	18	19-1/2	230
100	38-1/2	30	31	12-1/4	7-5/8	8-7/16	5-1/4	7-1/2	28-1/8	11-1/4 x 12-7/8	4	12 x 24	16	18	23-1/2	250
120	42-1/2	33-1/4	37-1/4	16-1/2	8-3/8	8-3/4	5-1/4	8-1/4	32-1/8	13-5/16 x 15-3/8	4	16 x 28	16	18	27-1/2	290
150	45-3/4	36-1/4	39-3/4	16-1/2	6-7/8	6-5/16	5-1/4	6-3/4	32-1/8	15-3/4 x 18-3/8	4	16 x 28	16	18	27-1/2	330
180	55-3/4	40-1/4	49	22-3/4	7-1/4	5-5/16	5-1/4	7-1/8	36-1/8	18-3/4 x 21-5/8	4	20 x 32	16	18	31-1/2	500
200	68	47-1/4	60	29	11-11/16	10-5/8	5-3/4	11-11/16	48-1/8	24-3/4 x 24-3/4	4	27-3/4 x 44	16	18	43-1/2	750

All dimensions in inches. Weight in pounds. *Roof opening size for curbs supplied by Loren Cook Co. only. **Less motor.

Tiered Air Supply Package Forward Curve, Belt Drive Bottom or Side Discharge Roof Mounted

Description - Fan shall be a tiered aluminum hooded, roof mounted, belt driven, centrifugal filtered supply fan.

Certifications - Fan shall be manufactured at an ISO 9001 certified facility. Fan shall be listed by Underwriters Laboratories (UL 705) and UL listed for Canada (cUL 705). Fan shall bear the AMCA Certified Ratings Seal for Sound and Air Performance.

Construction - The fan shall be of bolted construction utilizing corrosion resistant fasteners. Hood shall be tiered extruded aluminum, bolted to a minimum 16 gauge steel fan base with prepunched mounting holes. Unit shall be provided with an insulated aluminum top cover and 1" washable permanent aluminum filters. Internal blower and motor assembly shall be mounted on rubber vibration isolators. Unit shall bear an engraved aluminum nameplate. Nameplate shall indicate design CFM, static pressure, and maximum fan RPM. Unit shall be shipped in ISTA Certified Transit Tested Packaging.

Wheel - Wheel shall be steel, centrifugal forward curved type. Wheel shall utilize an aerodynamic aluminum inlet cone to provide maximum performance and efficiency. Wheel shall be balanced in accordance with AMCA Standard 204-05, Balance Quality and Vibration Levels for Fans.

Motor - Motor shall be Nema Design B with Class B insulation rated for continuous duty and furnished at the specified voltage, phase and enclosure.

Bearings - Bearings shall be ball bearing type selected for a minimum L50 life in excess of 200,000 hours at maximum cataloged operating speed.

Belts and Drives - Belts shall be oil and heat resistant, non-static type. Drives shall be precision machined cast iron type, keyed and securely attached to the wheel and motor shafts. Drives shall be sized for 150% of the installed motor horsepower. The variable pitch motor drive must be factory set to the specified fan RPM.

Product - Fan shall be model ASP-T as manufactured by Loren Cook Company of Springfield, Missouri.

Bottom



Side

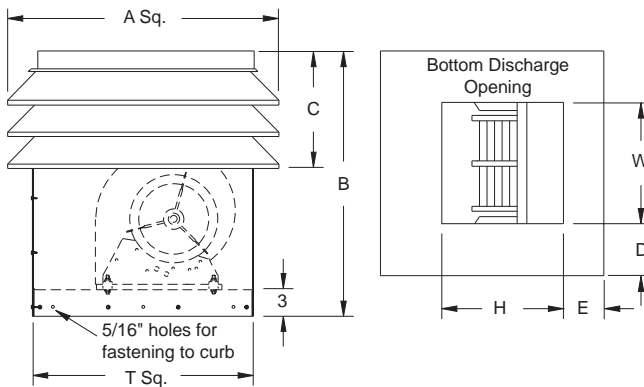


Loren Cook Company certifies that the ASP-T shown herein is licensed to bear the AMCA Seal. The ratings shown are based on tests and procedures performed in accordance with AMCA Publication 211 and AMCA Publication 311 and comply with the requirements of the AMCA Certified Ratings Program.

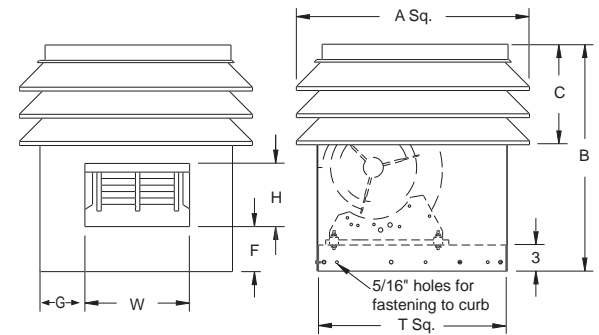


Type ASP-T is furnished standard with UL 705 and cUL 705 listing (Power Ventilator/ZACT) when furnished with factory supplied motor.

Bottom



Side



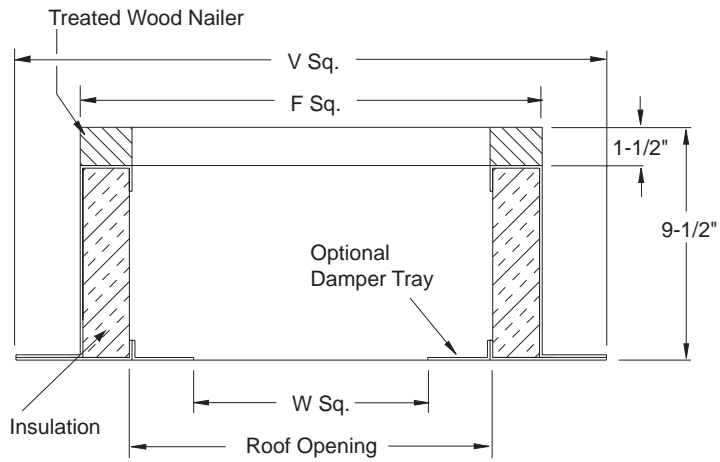
ASP-T Bottom Discharge Dimension Data

Size	A	B		C	D	E	F	G	Discharge Opening (H x W)	T Sq.	Filters		Material		No. of Tiers	Roof Opening Square*	Approx. Ship Wt.-Lbs.**
		Bottom	Side								Qty.	Size	Base	Housing			
90	30-7/8	29-1/4	30-1/4	13-1/4	6-7/32	7	5-1/4	6-5/32	10-1/8 x 11-9/16	24-1/8	4	12 x 18-1/4	16	18	3	19-1/2	230
100	34-7/8	31	32	13-1/4	7-5/8	8-7/16	5-1/4	7-1/2	11-1/4 x 12-7/8	28-1/8	4	12 x 22-1/4	16	18	3	23-1/2	250
120	38-7/8	33-1/2	37-1/2	16-3/4	8-3/8	8-3/4	5-1/4	8-1/4	13-5/16 x 15-3/8	32-1/8	4	15-1/2 x 26-1/4	16	18	4	27-1/2	290
150	38-7/8	36-1/2	40	16-3/4	6-7/8	6-5/16	5-1/4	6-3/4	15-3/4 x 18-3/8	32-1/8	4	15-1/2 x 26-1/4	16	18	4	27-1/2	330
180	42-7/8	44-3/4	53-1/2	27-1/4	7-1/4	5-5/16	5-1/4	7-1/8	18-3/4 x 21-5/8	36-1/8	4	26 x 30-1/4	16	18	7	31-1/2	500
200	54-7/8	49	61-3/4	30-3/4	11-11/16	10-5/8	5-3/4	11-11/16	24-3/4 x 24-3/4	48-1/8	4	29-1/2 x 42-1/4	16	18	8	43-1/2	750

All dimensions in inches. Weight in pounds. *Roof opening size for curbs supplied by Loren Cook Co. only. **Less motor.

ACCESSORIES

Roof Curb



Standard Construction Features

- 18 gauge galvanized steel (RCG) or .080 aluminum (RCA).
- 1-1/2", 3 lbs. density thermal and acoustical insulation.
- Continuously welded corners.
- Wood nailer.

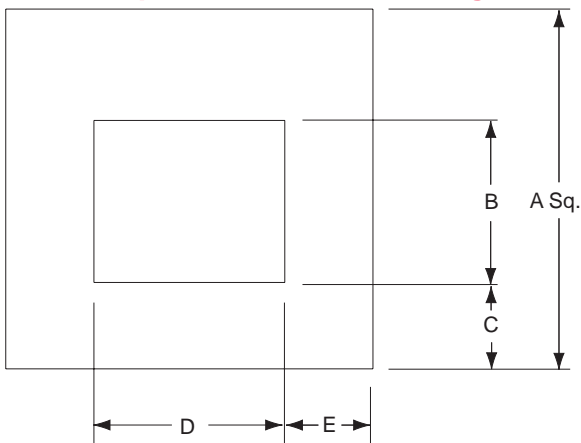
Options

- No wood nailer (deduct 1-1/2" from height).
- 13-1/2" tall construction.
- 3" cant (add 4" to V Sq. dimension).

ASP/ASP-T Unit Size	Catalog Number		F Sq.	V Sq.	W Sq.	Roof Opening
	Galvanized	Aluminum				
90	RCG-22	RCA-22	22-1/2	26-1/2	15-3/4	19-1/2
100	RCG-26	RCA-26	26-1/2	30-1/2	19-3/4	23-1/2
120,150	RCG-30	RCA-30	30-1/2	34-1/2	23-3/4	27-1/2
180	RCG-34	RCA-34	34-1/2	38-1/2	27-3/4	31-1/2
200	RCG-46	RCA-46	46-1/2	50-1/2	39-3/4	43-1/2

All dimensions in inches.

Duct Adaptor for Bottom Discharge Units



ASP/ASP-T Unit Size	A Sq.	B	C	D	E
90	22-1/2	10-1/8	6-3/16	11-11/16	5-13/32
100	26-1/2	11-1/4	7-5/8	13	6-3/4
120	30-1/2	13-7/16	8-17/32	15-1/2	7-1/2
150	30-1/2	15-3/4	7-3/8	18-1/2	6
180	34-1/2	18-3/4	7-7/8	21-3/4	6-3/8
200	46-1/2	24-7/8	10-13/16	24-7/8	10-13/16

All dimensions in inches.

Loren Cook Duct Adaptor is designed to fit over a curb in order to accommodate the installation of ductwork before the fan is placed upon the roof curb. Intake dampers cannot be used with a duct adaptor.

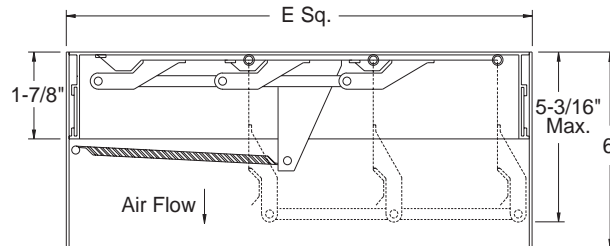
Dampers

Loren Cook Intake Backdraft Dampers (BDI) and Motorized Intake Backdraft Dampers (BDMI) feature extruded aluminum frames, aluminum blades and aluminum hinge pins with nylon bushings.

The Intake Backdraft Damper features a spring return for closing. Maximum operating temperature is 200°F (95°C).

Motors on Motorized Intake Backdraft Dampers are non-overloading type available in 110, 220, or 440 voltage, single phase. Size 200 ASP/ASP-T (BDMI-42) uses two motors. In addition, a wood nailer must be supplied on a 9-1/2 inch curb. Maximum operating temperature is 130°F (50°C).

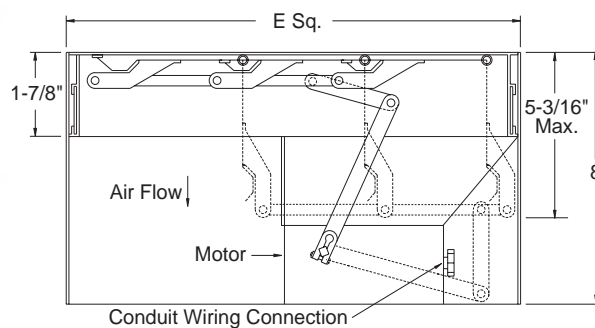
Intake Backdraft Damper



ASP/ASP-T Unit Size	Catalog Number	E. Sq.
90	BDI-18	17-3/4
100	BDI-22	21-3/4
120, 150	BDI-26	25-3/4
180	BDI-30	29-3/4
200	BDI-42	41-3/4

All dimensions in inches.

Motorized Intake Backdraft Damper



ASP/ASP-T Unit Size	Catalog Number	E. Sq.
90	BDMI-18	17-3/4
100	BDMI-22	21-3/4
120, 150	BDMI-26	25-3/4
180	BDMI-30	29-3/4
200	BDMI-42	41-3/4

All dimensions in inches.

Disconnect Switches

NEMA 1 - Indoor, general purpose

NEMA 1 (Lockable) - Indoor, general purpose with lockable switch

NEMA 3R - Exterior mount, weather resistant

NEMA 4 - Water tight, dust tight



NEMA 1



NEMA 1 (Lockable)



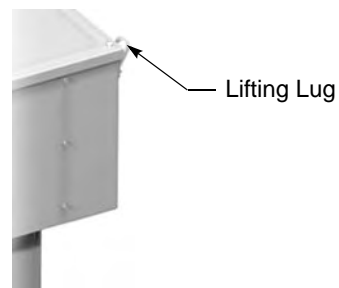
NEMA 3R



NEMA 4

Lifting Lugs

The addition of heavy duty bolt on lifting lugs provides for safer, faster, more efficient lifting of the ASP unit to a roof top. Lifting lugs are available on all sizes.





LOREN COOK COMPANY

2015 E. DALE STREET
SPRINGFIELD, MO 65803-4637

417.869.6474

FAX 417.862.3820

lorencook.com